

---

## Preparing the TWIN tt for Dry-Vacuuming

Before you begin vacuuming, you must prepare the TWIN tt by setting up the AquaFilter and attaching the dry suction hose.

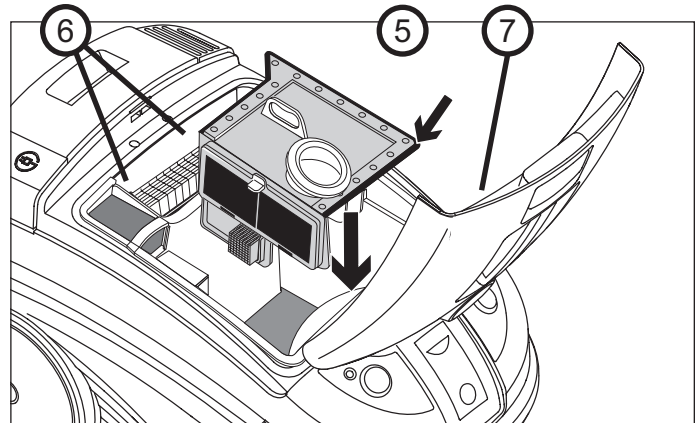
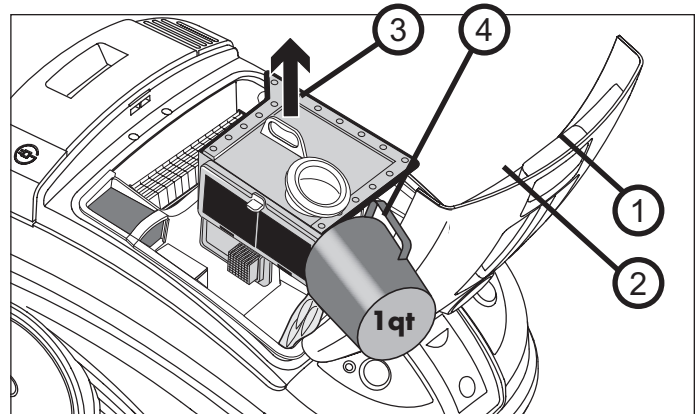
### Set Up the AquaFilter

To prepare the AquaFilter for dry-vacuuming, do the following:

1. Lift the cover lock.
2. Open the casing cover.
3. Take hold of the small handle at the center of the AquaFilter and remove the AquaFilter from the Recovery Tank.
4. Fill the recovery tank with approximately 1 quart of clean water. Use the waterline label on the inside of the recovery tank to help you.

**Note:** A metal handle is attached to the recovery tank and folds down to one side. If desired, you can use this handle to remove the recovery tank from the vacuum and carry it to a faucet.

5. Return the AquaFilter to the recovery tank. Make sure that the seal along the top edge of the AquaFilter fits snugly into the recovery tank.
6. Make sure the wet filter and HEPA filter are firmly in place.
7. Close the casing cover. Check the casing cover handle to make sure the cover is fully closed.



The AquaFilter is ready for dry-vacuuming.